

Product Bulletin

GY13R0 SNAP-IN TERMINAL SERIES CELLS

Revision 1.0, July 2022

Electrical Specifications

The GY13R0 Snap-in terminal series of supercapacitors are 3V cylindrical cells offering excellent value, providing intermediate capacitance between radial leads and LASER weld automotive supercapacitor cells.

Part numbering code

G	Y	N	vvv	dd	mmm	S	ccc	R
Model	Cylindrical	no of cells 1	Voltage 3R0 = 3V	Diameter 60 = 60mm	Length (mm) 051 = 51mm 074 = 74mm 085 = 85mm 102 = 102mm	Tolerance M \pm 20% S +30% / -10% V +25% / -5%	μF Two digits + number of zeros. 158 = 1500000000 μ F = 1500F	Lead format S = 2 pins snap-in W = 4 pins snap-in C = 2 flat tabs

Rated Voltage: 3.0V, Temperature Range: -40°C to +65°C, (40°C to +85°C @ 2.5V)

CAP-XX Part no.	Cap (F)	ESR _{DC} Max (m Ω)	ESR Max @ 1KHz (m Ω)	IL max ¹ @ 72 Hrs (mA)	Diameter (mm)	Length (mm)	Mass (gm)
GY13R022045V107S	100	12	8	0.3	22	45	21
GY13R022045V127S	120	12	8	0.3	22	45	21
GY13R022055V167S	160	12	8	0.5	22	55	30
GY13R025050V157S	150	11	7	0.5	25	50	30
GY13R030050V207S	200	10	6	0.7	30	50	36
GY13R030050V227S	220	11	7	0.7	30	50	39
GY13R030050V247S	240	11	7	0.7	30	50	40
GY13R035060V357C	350	3.6	3.1	1	35	60	73
GY13R035060V407C	400	3.3	2.9	1.2	35	60	73
GY13R035060V477C	470	3.6	3.1	1.3	35	60	73
GY13R035067V507C	500	3.5	3	1.3	35	67	76
GY13R035070V607C	600	3	2.5	1.5	35	70	88

Notes:

- DC Leakage current decays over time until it reaches equilibrium value. Value quoted is maximum after 72hrs at rated voltage and room temperature.

GY13R0 SNAP-IN TERMINAL SERIES CELL Product Bulletin

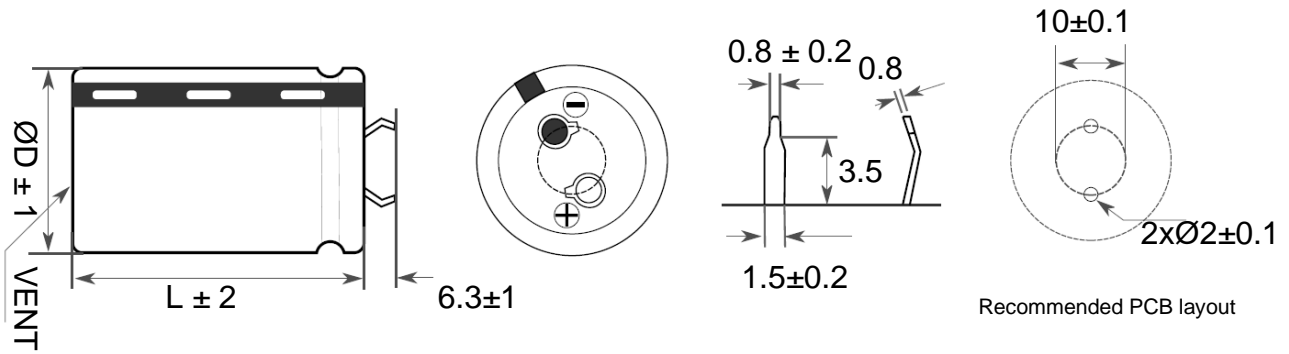
Applications:

- High power delivery
- Regenerative energy capture
- Improve the cycle life of large batteries
- Power smoothing for where fuel cells are used
- Load regulation for very high-power step changes

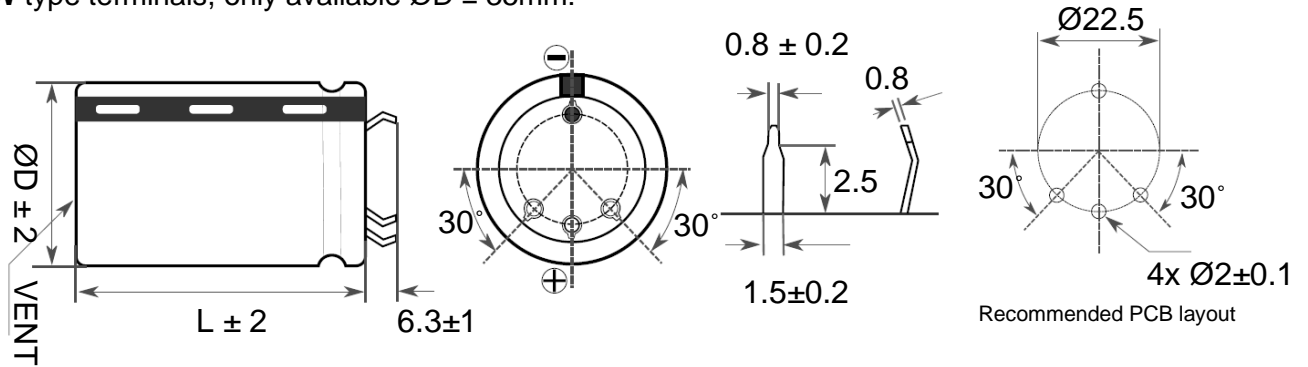
Mechanical drawing:

All dimensions in mm

S type terminals:



W type terminals, only available $\text{ØD} \geq 35\text{mm}$:



C type terminals, only available $\text{ØD} \geq 35\text{mm}$:

