

## Product Bulletin

# GY12R7 SNAP-IN TERMINAL SERIES CELLS

Revision 1.0, July 2022

## Electrical Specifications

The GY12R7 snap-in terminal series of supercapacitors are 2.7V cylindrical cells offering excellent value, providing intermediate capacitance between radial leads and LASER weld automotive supercapacitor cells.

### Part numbering code

G	Y	N	vvv	dd	mmm	S	ccc	R
<b>Model</b>	<b>Cylindrical</b>	<b>no of cells</b> 1	<b>Voltage</b> 2R7 = 2.7V	<b>Diameter</b> 60 = 60mm	<b>Length (mm)</b> 051 = 51mm 074 = 74mm 085 = 85mm 102 = 102mm	<b>Tolerance</b> M $\pm$ 20% S +30% / -10% V +25% / -5%	<b><math>\mu</math>F</b> Two digits + number of zeros. 158 = 1500000000 $\mu$ F = 1500F	<b>Lead format</b> S = 2 pins snap-in W = 4 pins snap-in C = 2 flat tabs

Rated Voltage: 2.7V, Temperature Range: -40°C to +65°C

CAP-XX Part no.	Cap (F)	ESR <sub>DC</sub> Max (m $\Omega$ )	ESR Max @ 1KHz (m $\Omega$ )	IL max <sup>1</sup> @ 72 Hrs (mA)	Diameter (mm)	Length (mm)	Mass (gm)
GY12R722045V107S	100	12	8	0.3	22	45	21
GY12R722045V127S	120	12	8	0.3	22	45	21
GY12R722055V167S	160	12	8	0.5	22	55	30
GY12R725050V157S	150	11	7	0.5	25	50	30
GY12R730050V207S	200	10	6	0.7	30	50	36
GY12R730050V227S	220	10	6	0.7	30	50	39
GY12R730050V247S	240	9	5	0.7	30	50	40
GY12R735060V357C	350	3.5	3	1	35	60	73
GY12R735060V407C	400	3.2	2.8	1	35	60	73
GY12R735060V477C	470	3.5	3	1.3	35	60	73
GY12R735067V507C	500	3.4	2.9	1.3	35	67	76
GY12R735070V607C	600	3	2.5	1.5	35	70	88
GY12R740070V807C	800	3.5	3	2	40	70	115

### Notes:

- DC Leakage current decays over time until it reaches equilibrium value. Value quoted is maximum after 72hrs at rated voltage and room temperature.

**GY12R7 SNAP-IN TERMINAL SERIES CELL Product Bulletin**

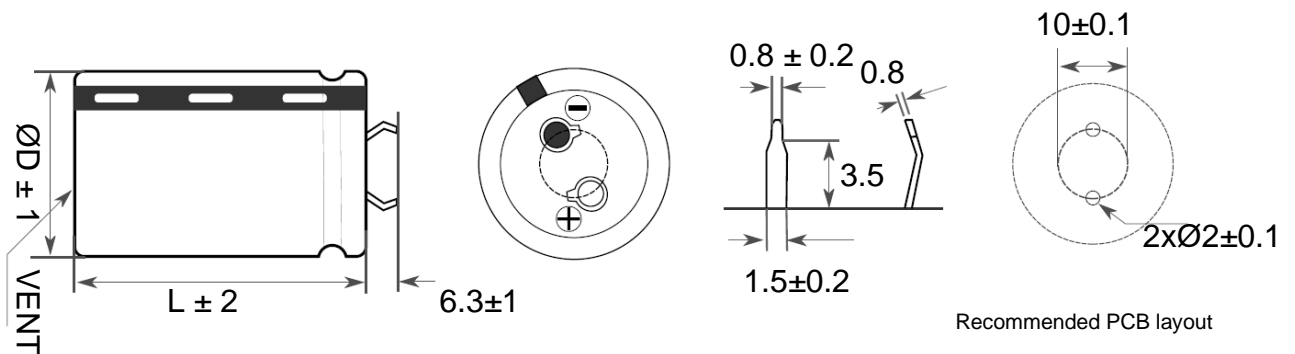
**Applications:**

- High power delivery
- Regenerative energy capture
- Improve the cycle life of large batteries
- Power smoothing for where fuel cells are used
- Load regulation for very high-power step changes

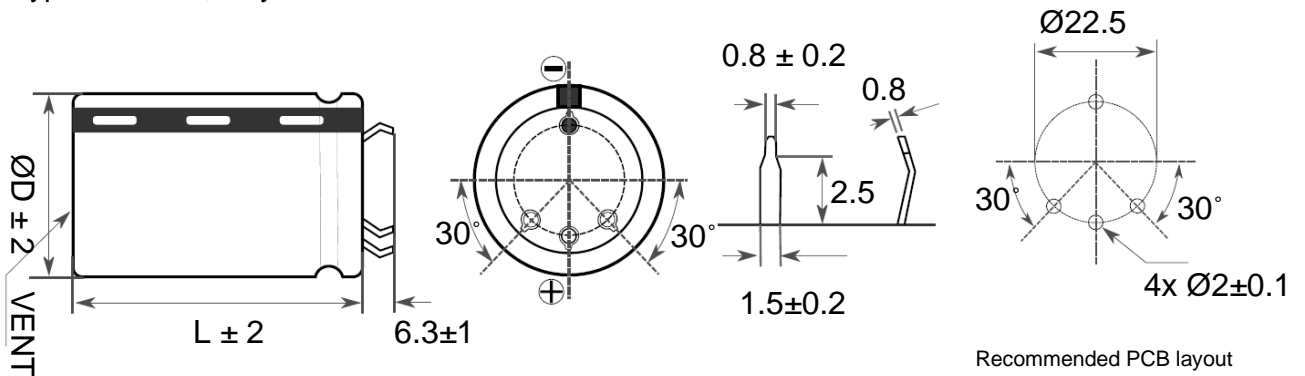
**Mechanical drawing:**

All dimensions in mm

**S type terminals:**



**W type terminals, only available  $\text{ØD} \geq 35\text{mm}$ :**



**C type terminals, only available  $\text{ØD} \geq 35\text{mm}$ :**

